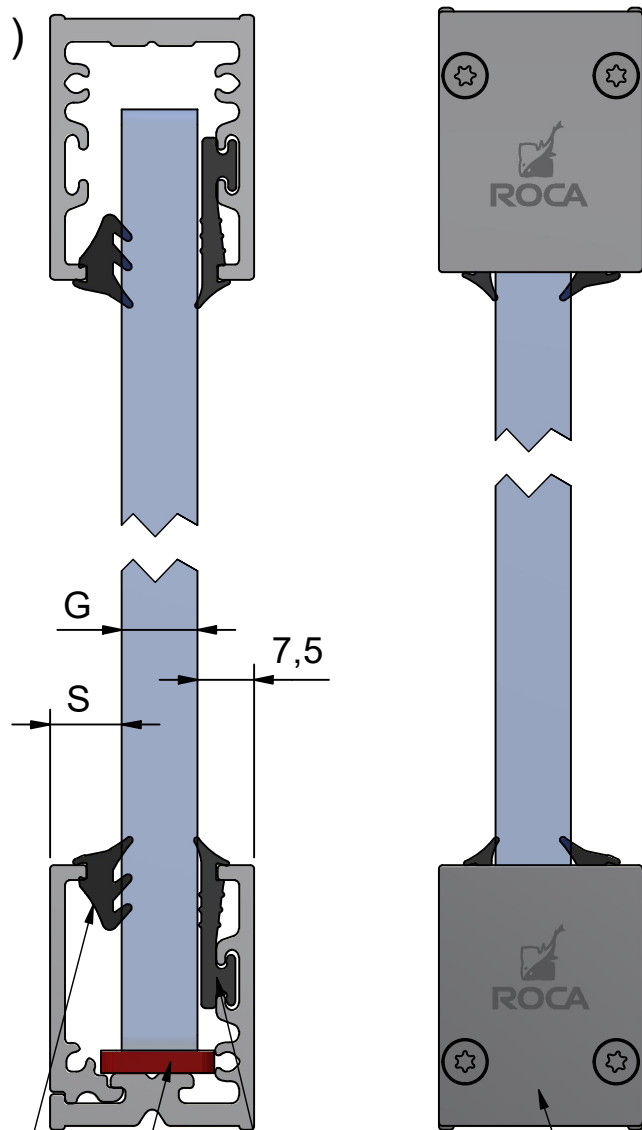


Accessories not included.

(1 : 1)

S = 27 - 7,5 - G	
G	S
8	11,5
8,76	10,7
10	9,5
10,76	8,7
12	7,5
12,76	6,7



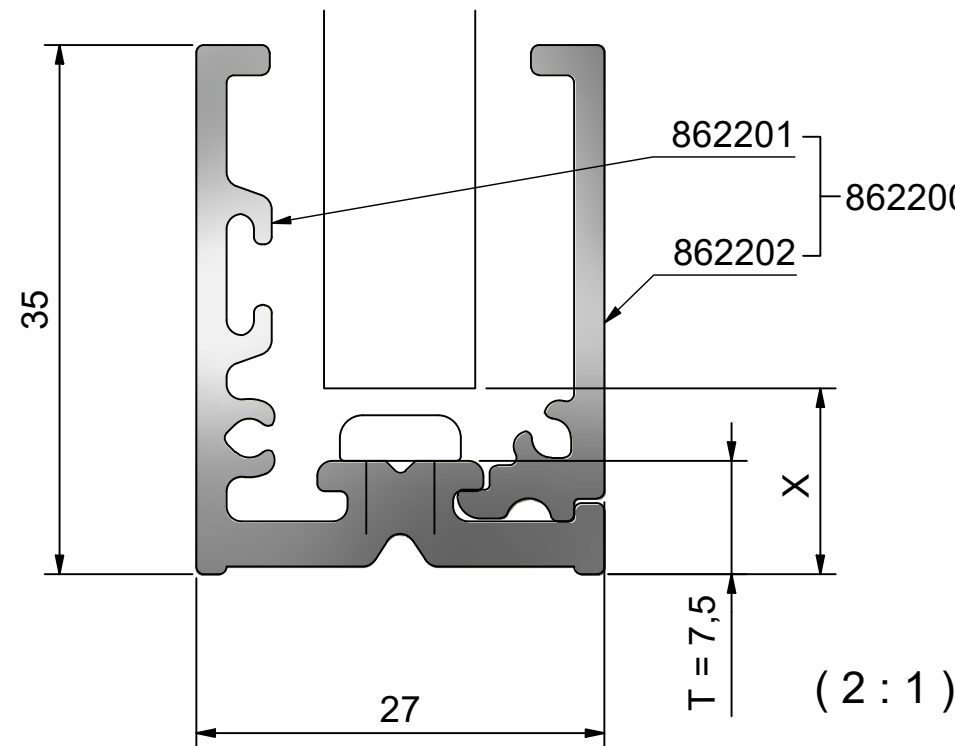
RG-521
Rubber gasket

RG-506
Glazing blocks

RG-520
Rubber gaskets

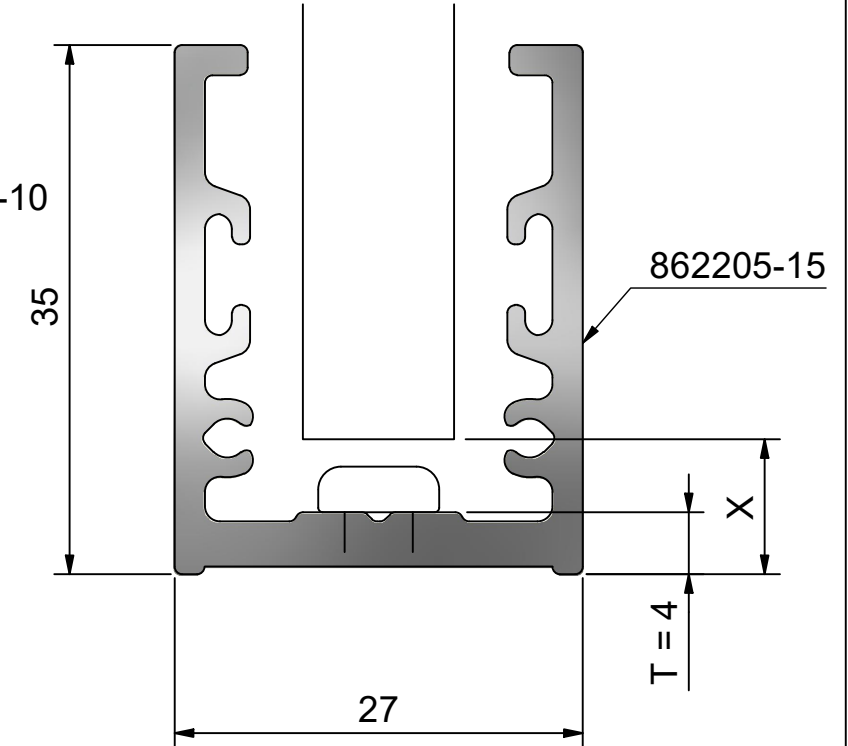
RG-512
End plate + screws

RG-502
2 parts



(2 : 1)

RG-503
1 part



X = Deduction for glass (floor) = T + glazing blocks height
 X = Deduction for glass (wall or ceiling) = T + screw height + clearance

Table	
Item no.	Length
862200	2600
862210	5300 *)
862205	2600
862215	5300 *)

*) = With contact mark

Standard length 2600 / 5300mm *)
 Fits 8 - 10,76mm glass
 For 12 - 12,76mm glass, use gasket 860398

Aluminum / Anodized natural	Date V1 210906/LW
Description Wall, ceiling and floor profile RG-502/503	Item no.

